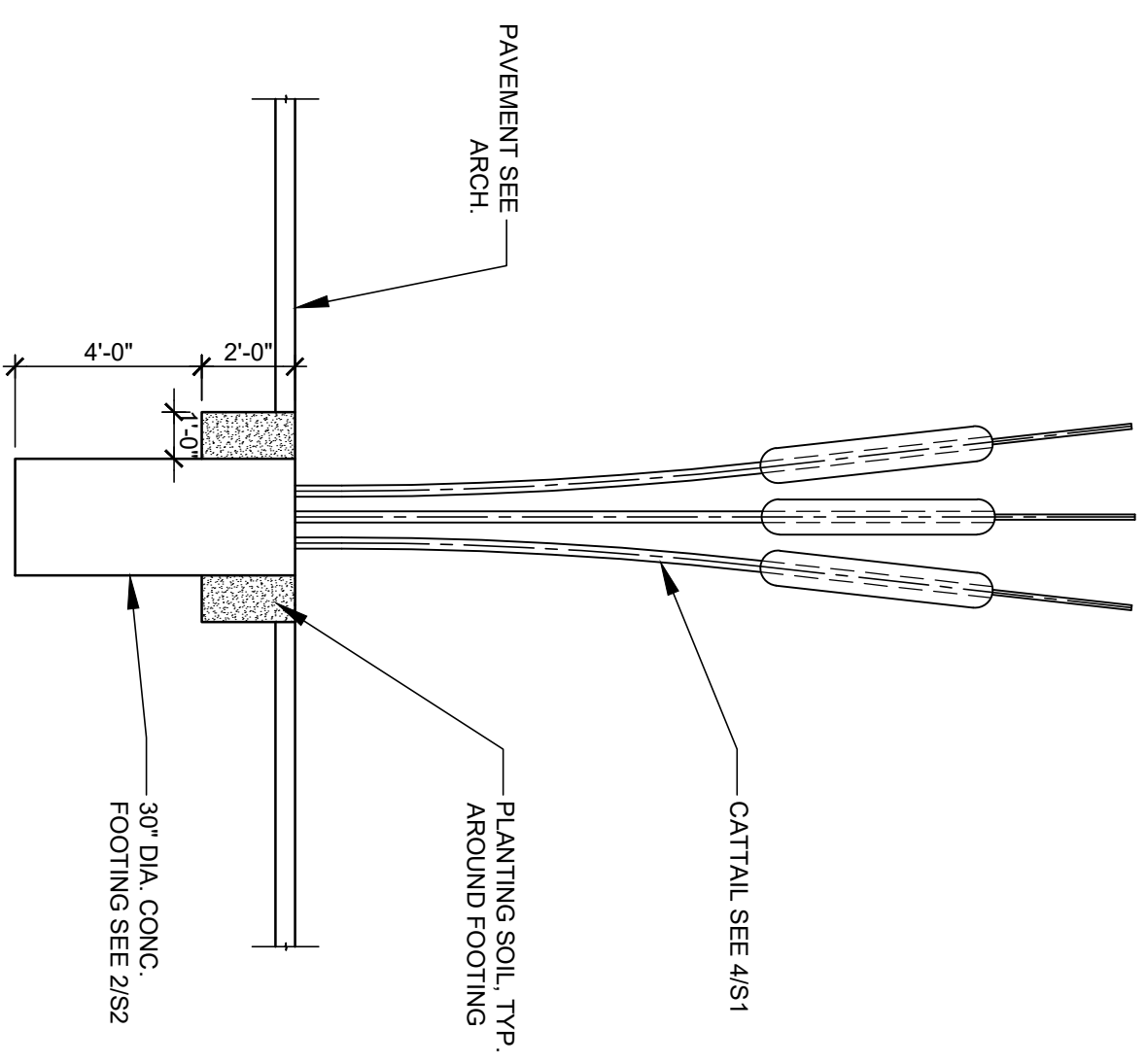
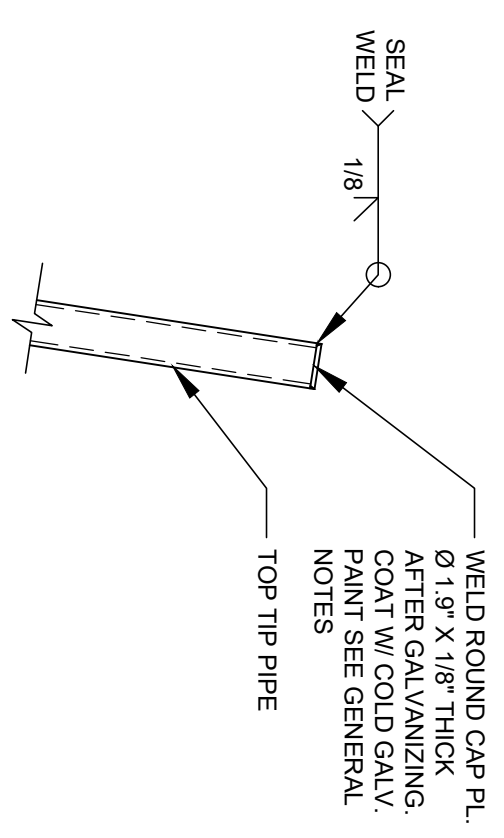


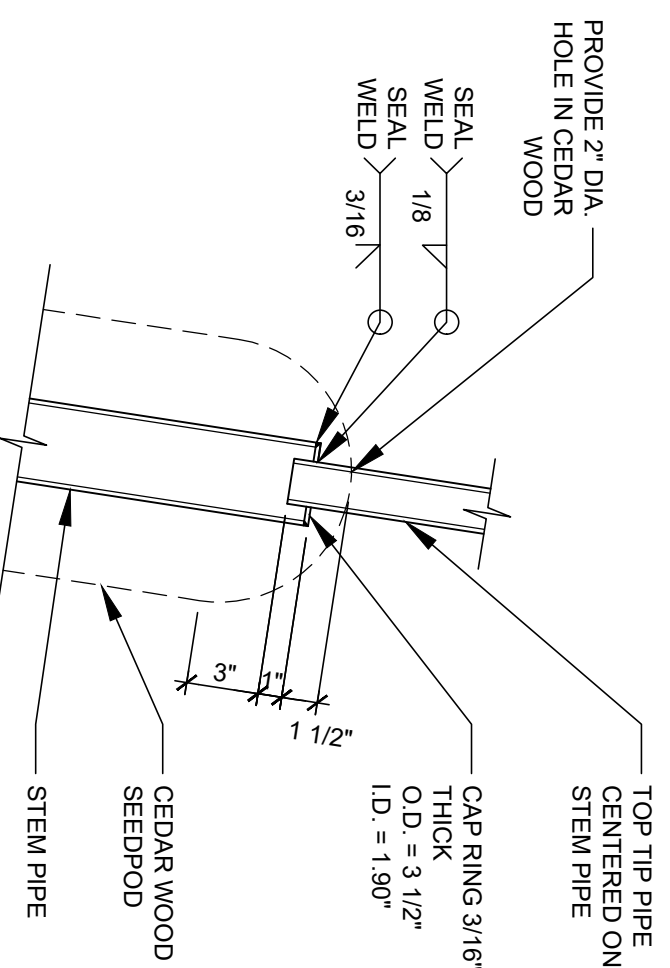
1 FIVE URBAN CATTAILS
S1 1/4" = 1'-0"



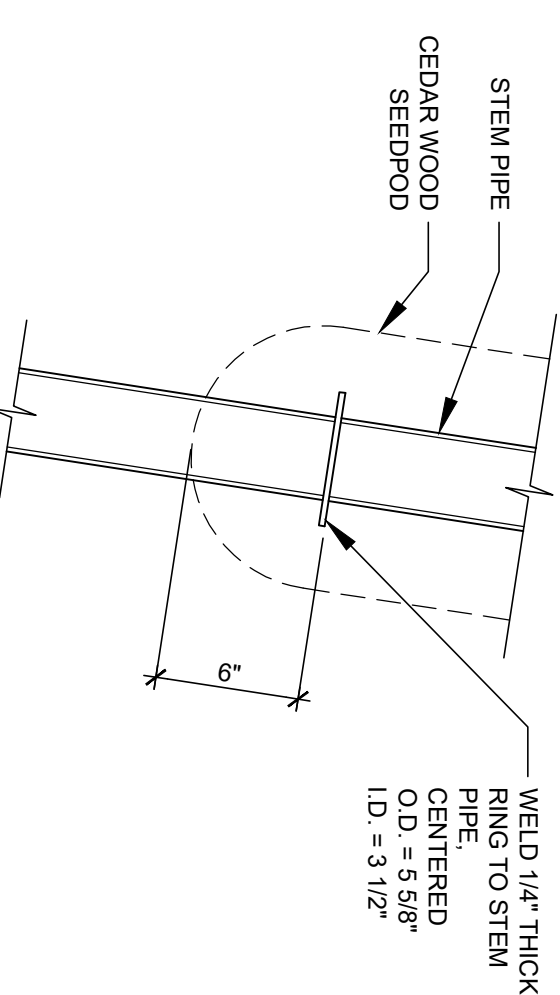
2 THREE URBAN CATTAILS
S1 1/4" = 1'-0"



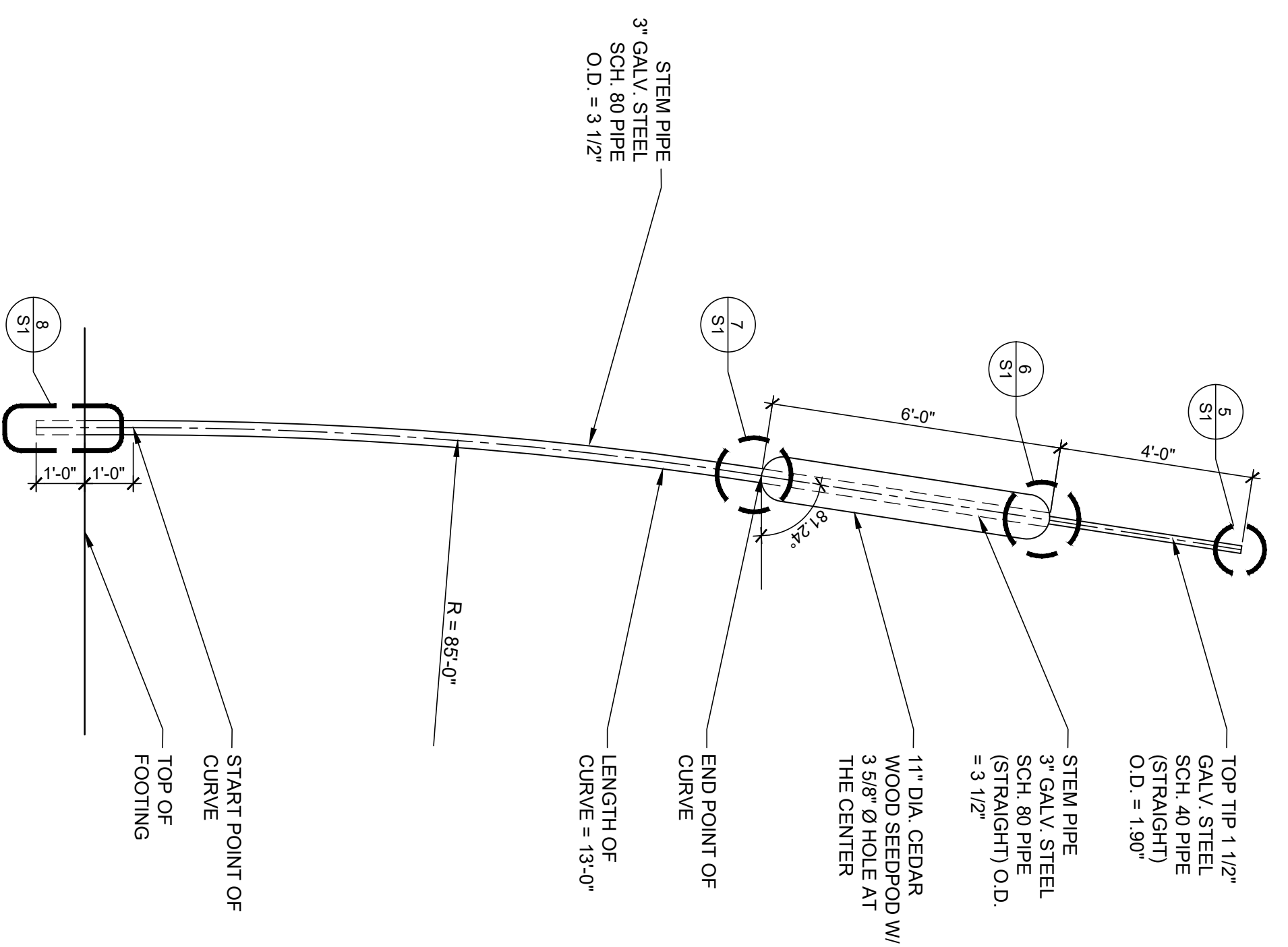
5 DETAIL
S1 1 1/2" = 1'-0"



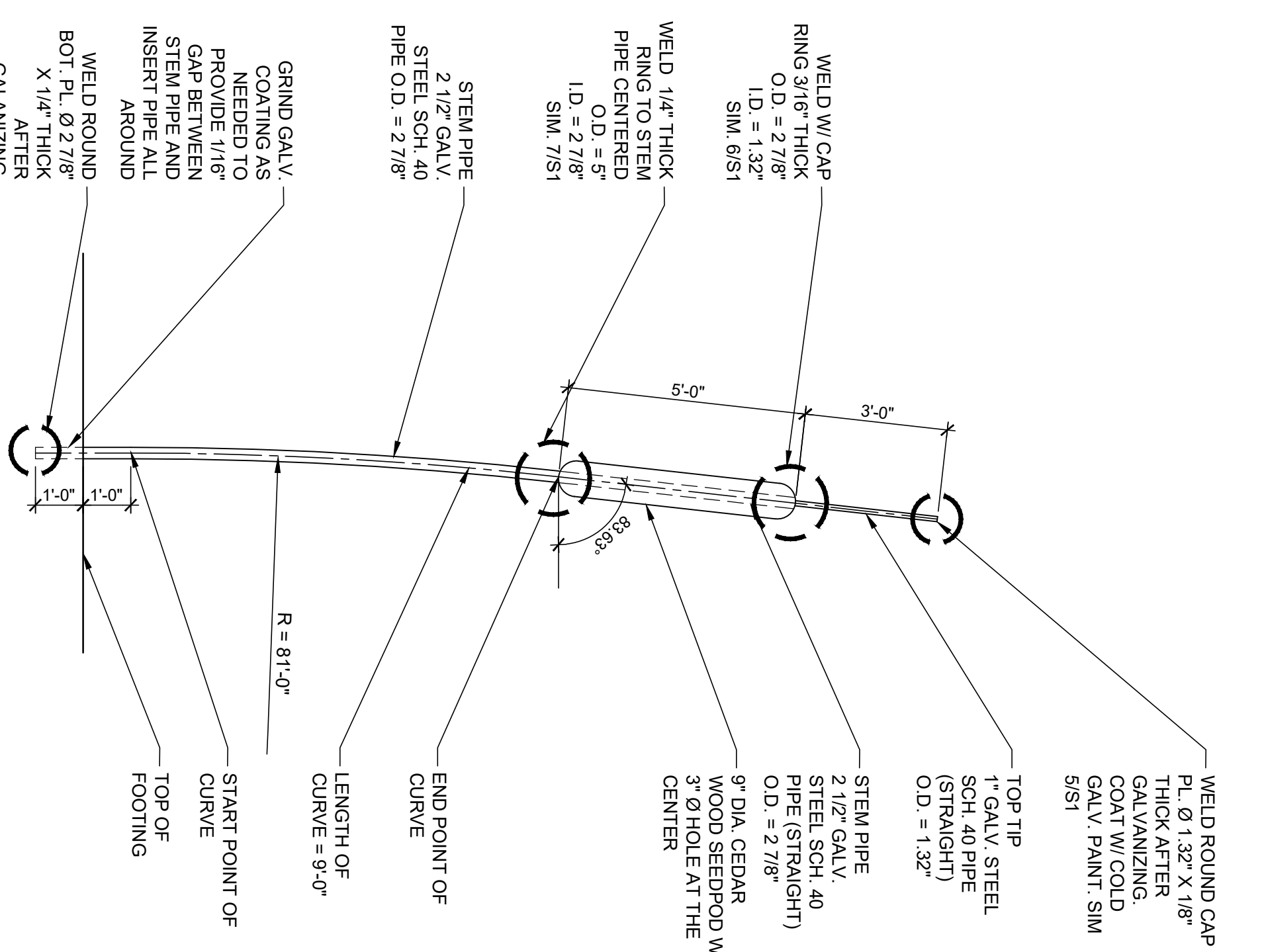
6 DETAIL
S1 1 1/2" = 1'-0"



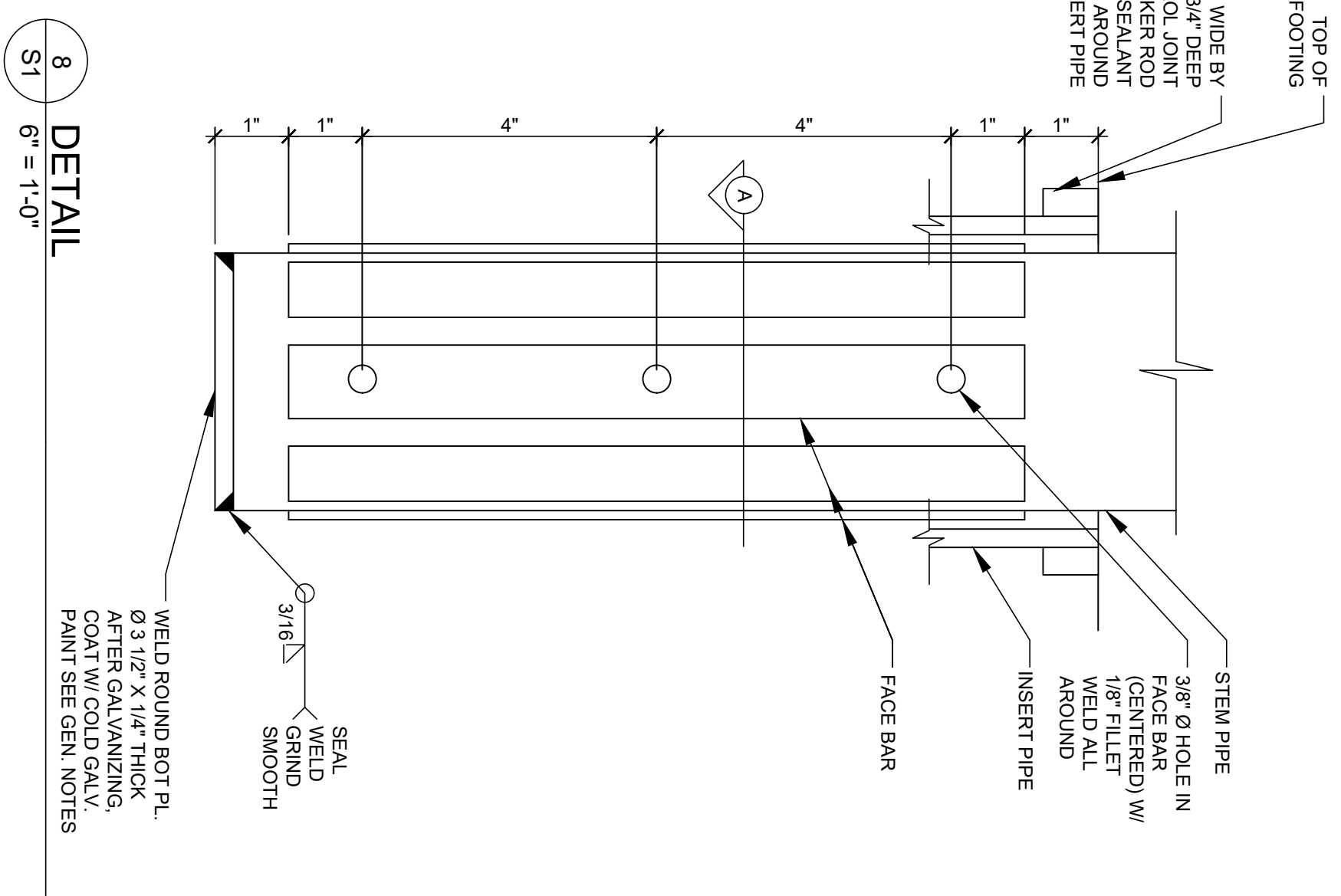
7 DETAIL
S1 1 1/2" = 1'-0"



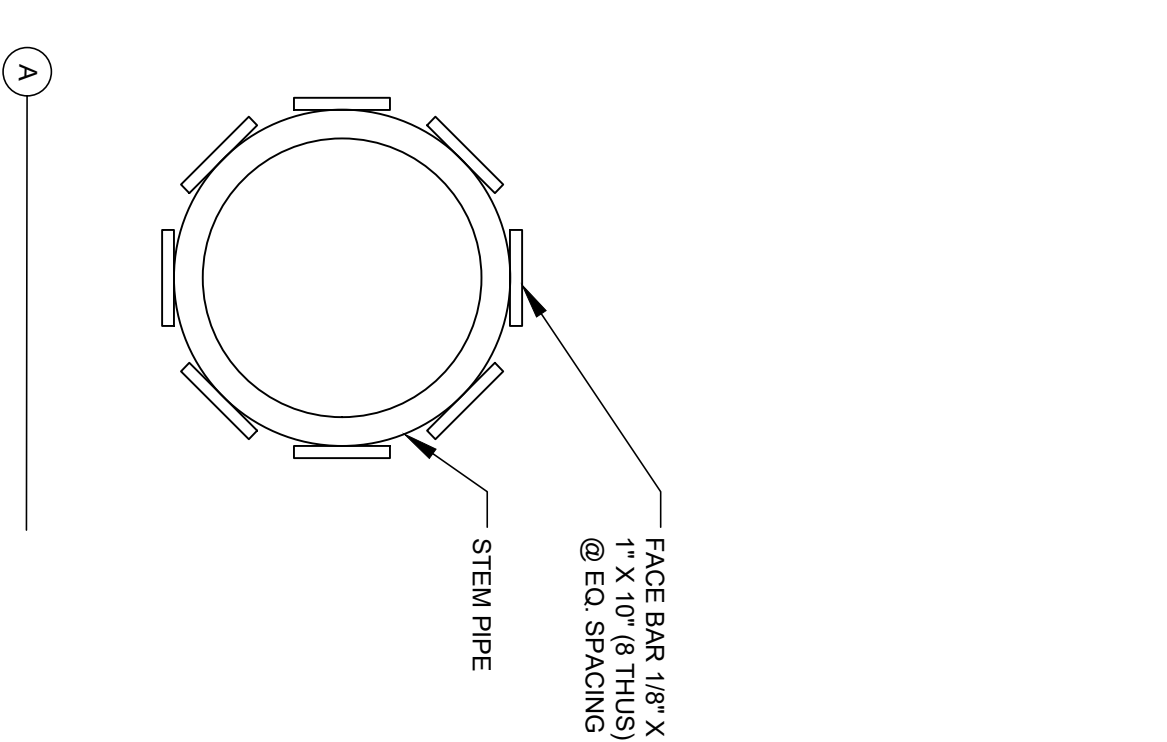
3 FIVE URBAN CATTAILS
S1 3/8" = 1'-0"



4 THREE URBAN CATTAILS
S1 3/8" = 1'-0"



8 DETAIL
S1 6" = 1'-0"



A

SHEET INDEX

S1	PLANS, ELEVATIONS AND DETAILS
S2	DETAILS AND GENERAL NOTES

NO.	DATE	BY	DESCRIPTION
1			
2			
3			

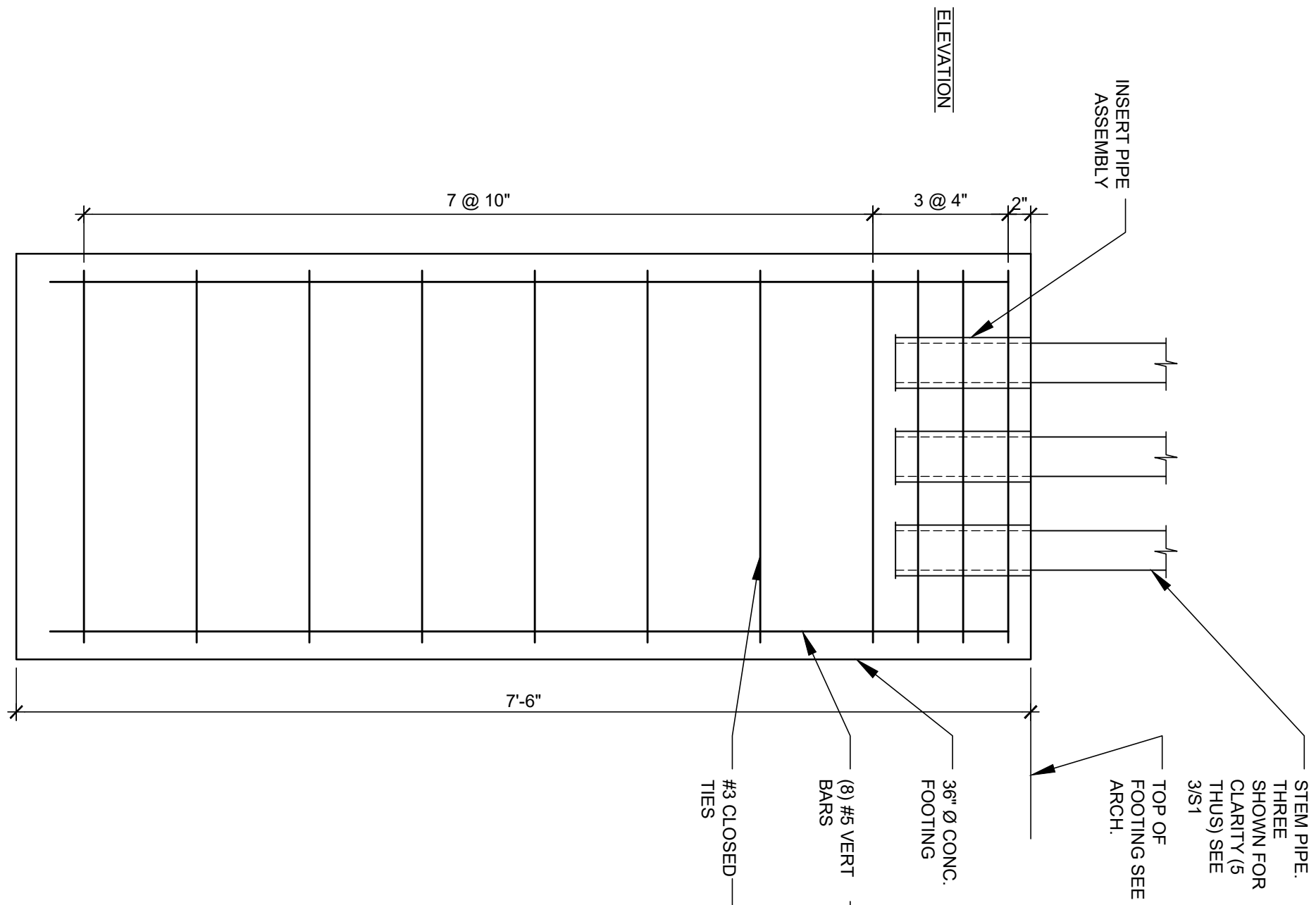
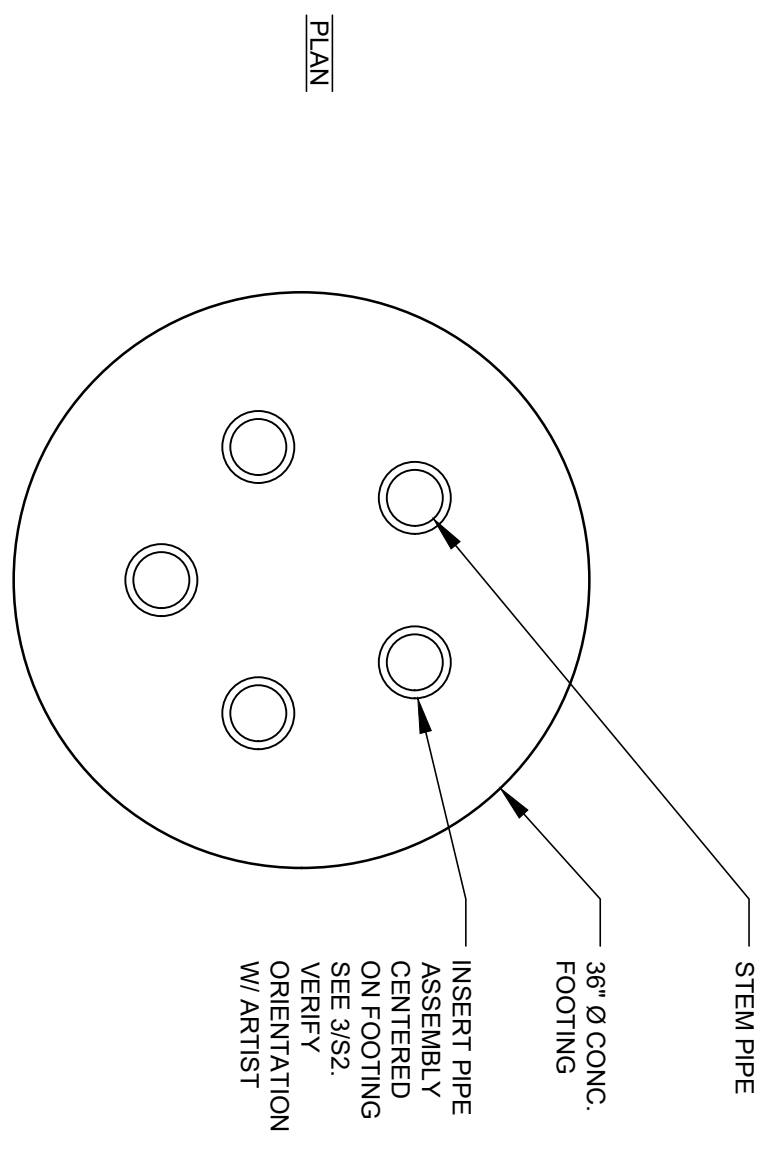
SHEET TITLE PLANS, ELEVATIONS AND DETAILS	
PROJECT	RF64 APARTMENTS CATTAIL SCULPTURES RICHFIELD PARKWAY AND 65TH ST. EAST RICHFIELD, MINNESOTA

HOSSLE WOODWORKS 2205 CALIFORNIA ST. NE, SUITE #123 MINNEAPOLIS, MN 55418	
---	--

I hereby certify that this plan, specification or report was prepared by me or under my direct supervision and that I am a duly Licensed Professional Engineer under the laws of the State of Minnesota.
Hadi Sajadi
Hadi Sajadi
Date March 24, 2022

Hadi and Structures
Structural Engineering
Hadi Sajadi, P.E.
2085 Viburnum Tr. Eagan, MN 55122
(612) 269-9926 hadisttructures@comcast.net

DATE	MARCH 24, 2022
PROJECT NO.	224701
SHEET NO.	S1



1 FIVE CATTAILS FOOTING
S2 1" = 1'-0"

GENERAL NOTES:

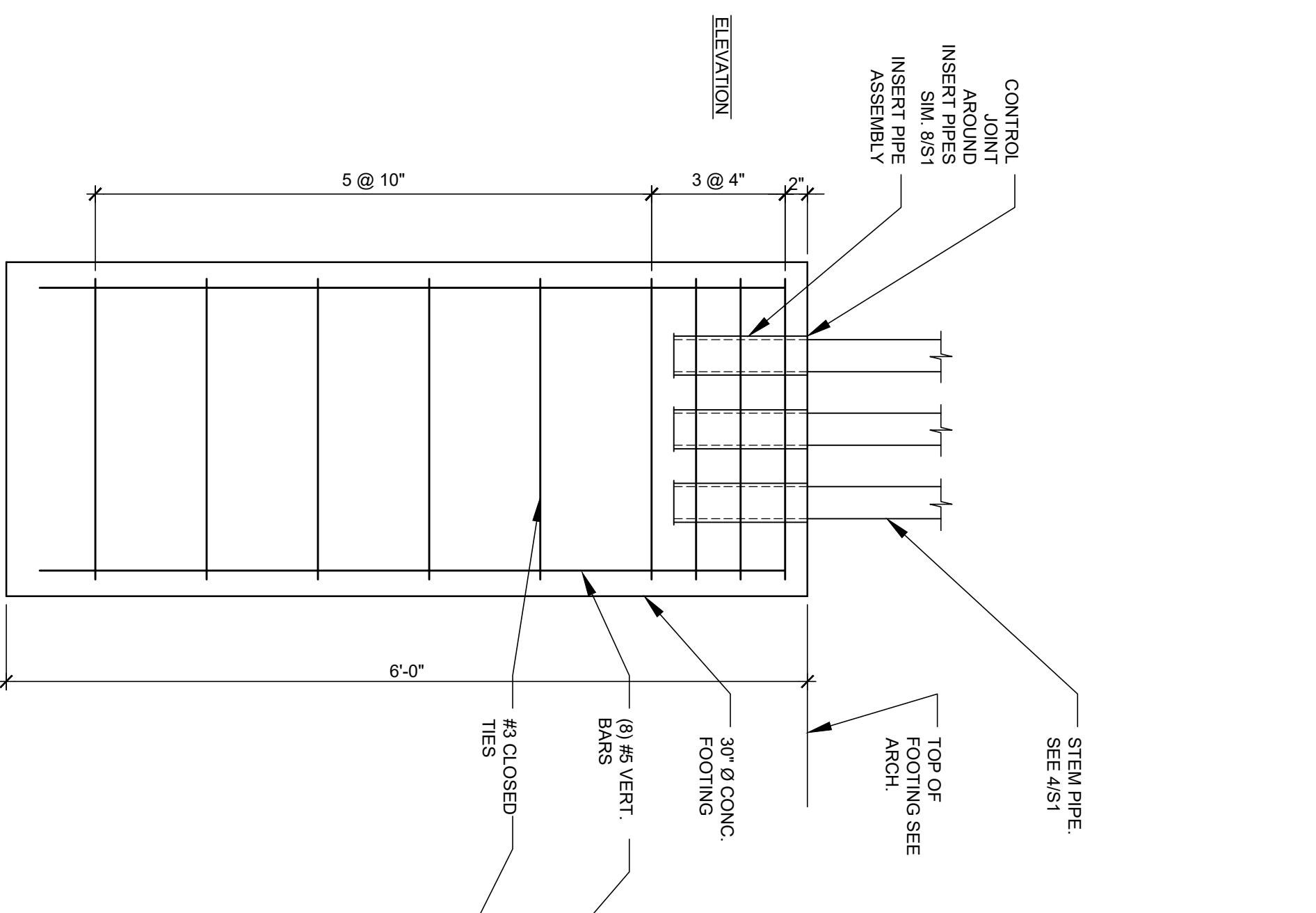
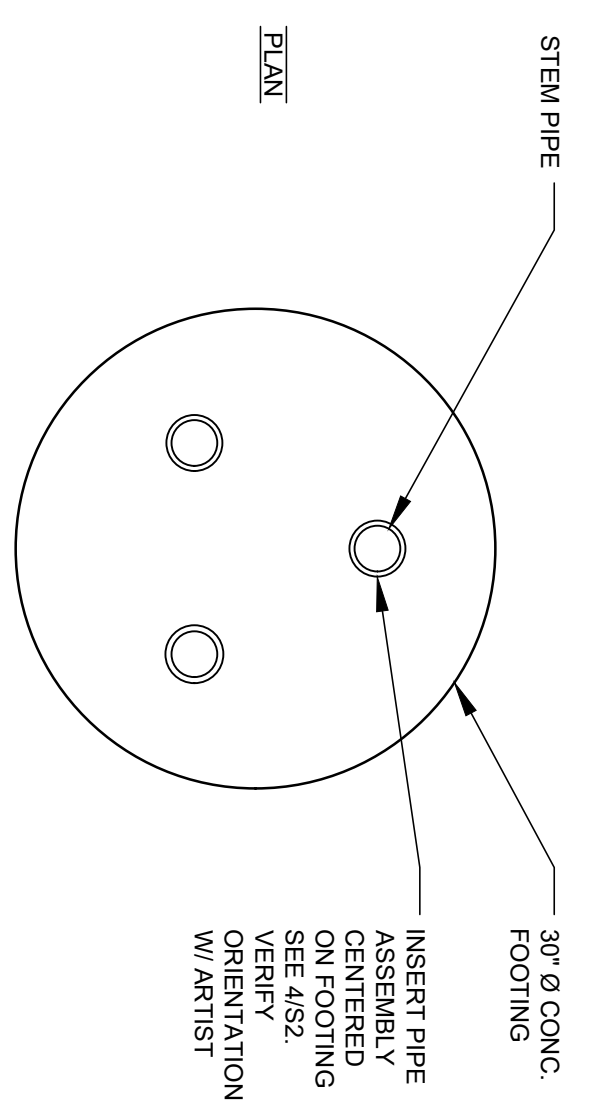
- Contractor shall verify all existing dimensions, member sizes and field conditions prior to any fabrication, construction or installation and notify Structural Engineer of conditions, materials, sizes and quantities.
- Cross reference all dimensions and details with the Artist's drawings before commencing any demolition/fabrication/construction.
- These drawings and specifications represent the finished structure. Unless otherwise noted, they do not indicate the means or methods of construction. The Contractor is solely responsible for the protection of the existing building and new structure during all phases of construction and demolition. Shoring shall be by the Contractor's design and shall be in accordance with the current edition of the State of Minnesota Building Code.
- All construction shall comply with the current edition of State of Minnesota Building Code.
- Details and conditions not specifically shown shall be constructed in accordance with details shown for similar conditions and materials.
- Shop drawings prepared by suppliers, subcontractors or others shall be reviewed, coordinated and stamped by General Contractor prior to submittal to the Structural Engineer.
- Reference Codes, Documents, Standards and Manuals shall be the latest edition (unless noted otherwise) with the latest addenda if applicable.

FOUNDATION

Foundation shall be poured into suitable excavations/formed/curbed walls as described in the Geotechnical Report by Northern Technologies, LLC (Project No. 18-NSP0608.000, dated September 14, 2018). All earthwork, excavation, backfill, compaction, shall be inspected by the Geotechnical Engineer of the Record. Do not pour concrete unless it is approved in writing by the Geotechnical Engineer of the Record. Required allowable soil bearing pressure at bottom of footing = 1200 lbs/sq. ft. Required allowable lateral bearing pressure against the vertical surface of footing = 1200 lbs/sq. ft. Any water that is encountered in the excavation shall be pumped out prior to placement of any fill or concrete.

9. Any water that is encountered in the excavation shall be pumped out prior to placement of any fill or concrete.

10. Do not place fill or concrete over frozen soil. Fill should not contain any frozen soil. Protect soil from freezing before and after fill is placed and also before, during and after concrete has been poured.



2 THREE CATTAILS FOOTING
S2 1" = 1'-0"

GENERAL NOTES:

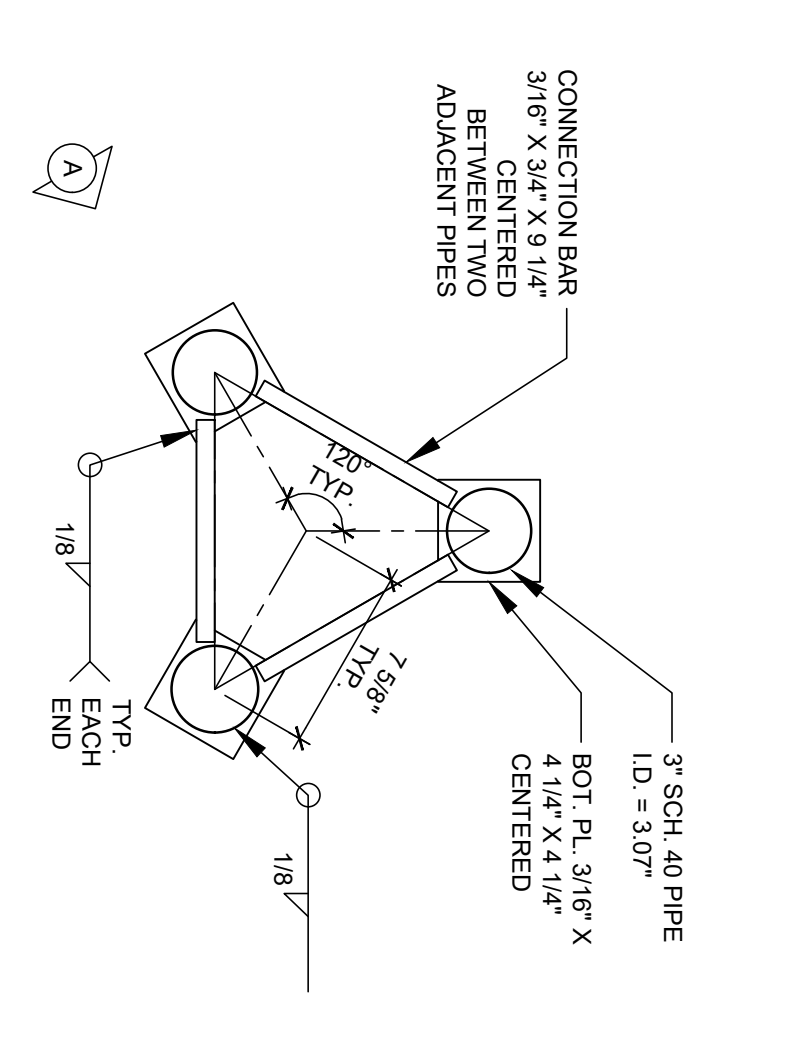
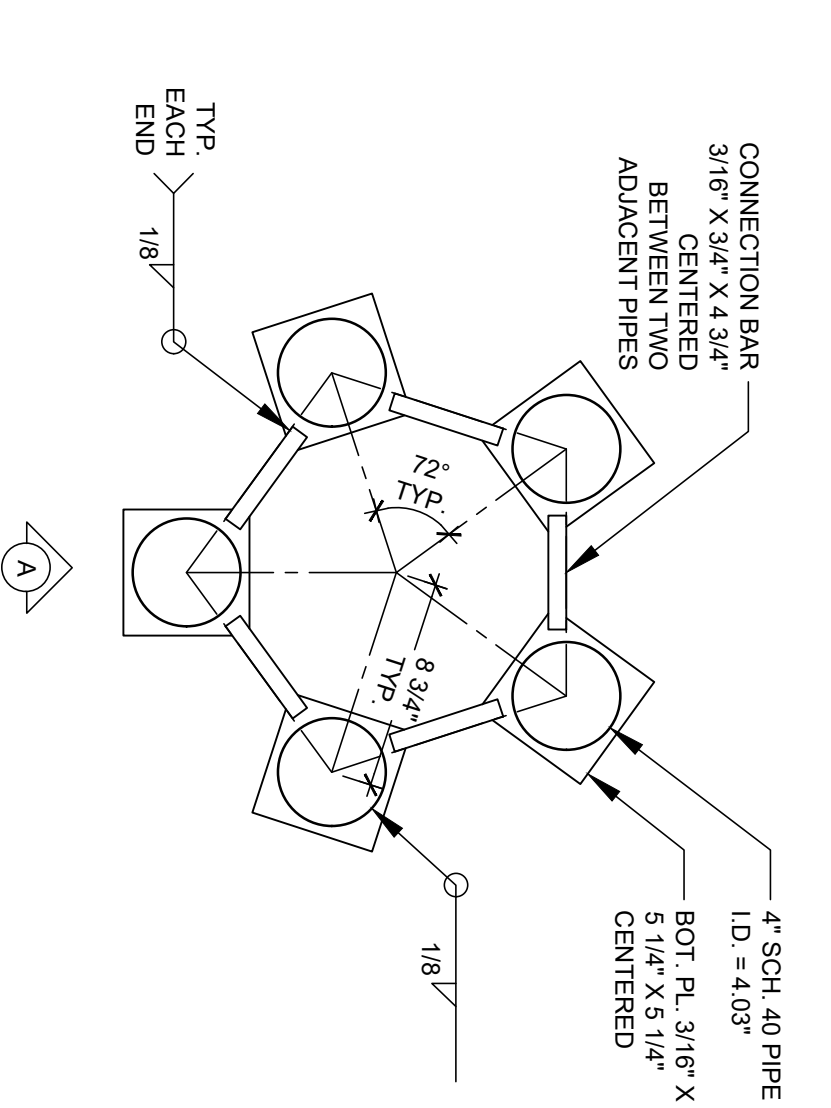
- Contractor shall verify all existing dimensions, member sizes and field conditions prior to any fabrication, construction or installation and notify Structural Engineer of conditions, materials, sizes and quantities.
- Cross reference all dimensions and details with the Artist's drawings before commencing any demolition/fabrication/construction.
- These drawings and specifications represent the finished structure. Unless otherwise noted, they do not indicate the means or methods of construction. The Contractor is solely responsible for the protection of the existing building and new structure during all phases of construction and demolition. Shoring shall be by the Contractor's design and shall be in accordance with the current edition of the State of Minnesota Building Code.
- All construction shall comply with the current edition of State of Minnesota Building Code.
- Details and conditions not specifically shown shall be constructed in accordance with details shown for similar conditions and materials.
- Shop drawings prepared by suppliers, subcontractors or others shall be reviewed, coordinated and stamped by General Contractor prior to submittal to the Structural Engineer.
- Reference Codes, Documents, Standards and Manuals shall be the latest edition (unless noted otherwise) with the latest addenda if applicable.

FOUNDATION

Foundation shall be poured into suitable excavations/formed/curbed walls as described in the Geotechnical Report by Northern Technologies, LLC (Project No. 18-NSP0608.000, dated September 14, 2018). All earthwork, excavation, backfill, compaction, shall be inspected by the Geotechnical Engineer of the Record. Do not pour concrete unless it is approved in writing by the Geotechnical Engineer of the Record. Required allowable soil bearing pressure at bottom of footing = 1200 lbs/sq. ft. Required allowable lateral bearing pressure against the vertical surface of footing = 1200 lbs/sq. ft. Any water that is encountered in the excavation shall be pumped out prior to placement of any fill or concrete.

9. Any water that is encountered in the excavation shall be pumped out prior to placement of any fill or concrete.

10. Do not place fill or concrete over frozen soil. Fill should not contain any frozen soil. Protect soil from freezing before and after fill is placed and also before, during and after concrete has been poured.



3 INSERT PIPE ASSEMBLY - 5 CATTAILS
S2 1 1/2" = 1'-0"

GENERAL NOTES:

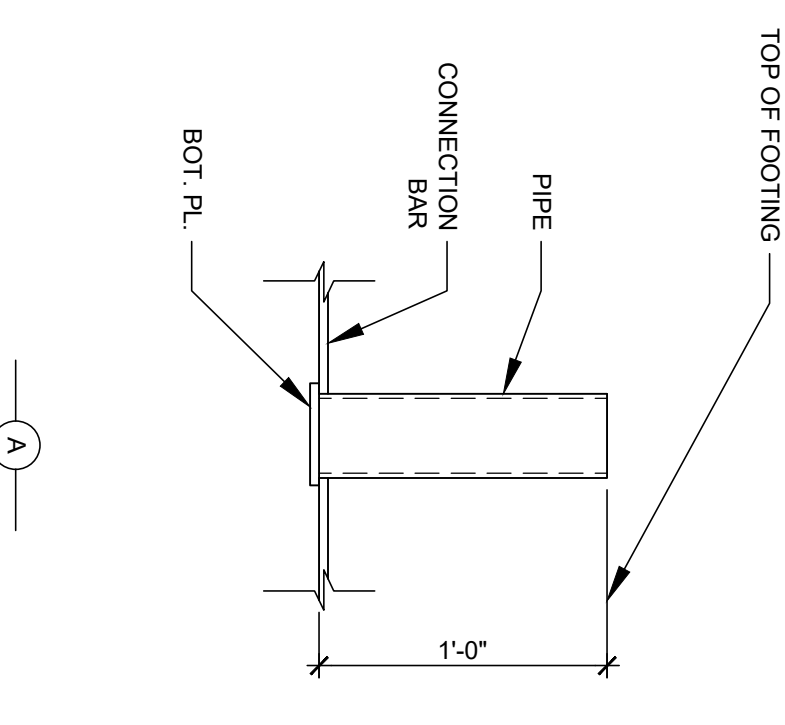
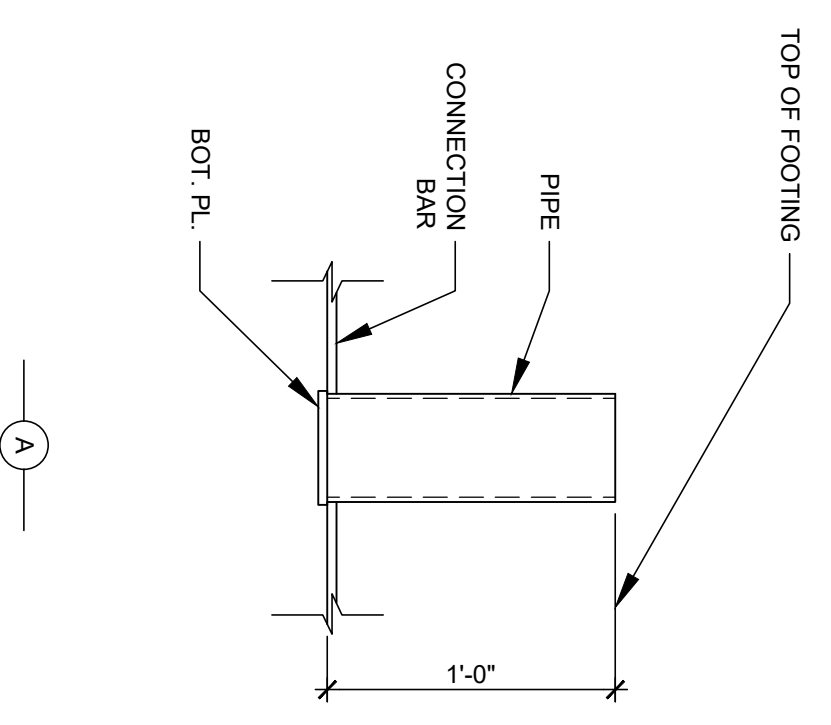
- Contractor shall verify all existing dimensions, member sizes and field conditions prior to any fabrication, construction or installation and notify Structural Engineer of conditions, materials, sizes and quantities.
- Cross reference all dimensions and details with the Artist's drawings before commencing any demolition/fabrication/construction.
- These drawings and specifications represent the finished structure. Unless otherwise noted, they do not indicate the means or methods of construction. The Contractor is solely responsible for the protection of the existing building and new structure during all phases of construction and demolition. Shoring shall be by the Contractor's design and shall be in accordance with the current edition of the State of Minnesota Building Code.
- All construction shall comply with the current edition of State of Minnesota Building Code.
- Details and conditions not specifically shown shall be constructed in accordance with details shown for similar conditions and materials.
- Shop drawings prepared by suppliers, subcontractors or others shall be reviewed, coordinated and stamped by General Contractor prior to submittal to the Structural Engineer.
- Reference Codes, Documents, Standards and Manuals shall be the latest edition (unless noted otherwise) with the latest addenda if applicable.

FOUNDATION

Foundation shall be poured into suitable excavations/formed/curbed walls as described in the Geotechnical Report by Northern Technologies, LLC (Project No. 18-NSP0608.000, dated September 14, 2018). All earthwork, excavation, backfill, compaction, shall be inspected by the Geotechnical Engineer of the Record. Do not pour concrete unless it is approved in writing by the Geotechnical Engineer of the Record. Required allowable soil bearing pressure at bottom of footing = 1200 lbs/sq. ft. Required allowable lateral bearing pressure against the vertical surface of footing = 1200 lbs/sq. ft. Any water that is encountered in the excavation shall be pumped out prior to placement of any fill or concrete.

9. Any water that is encountered in the excavation shall be pumped out prior to placement of any fill or concrete.

10. Do not place fill or concrete over frozen soil. Fill should not contain any frozen soil. Protect soil from freezing before and after fill is placed and also before, during and after concrete has been poured.



4 INSERT PIPE ASSEMBLY - 3 CATTAILS
S2 1 1/2" = 1'-0"

GENERAL NOTES:

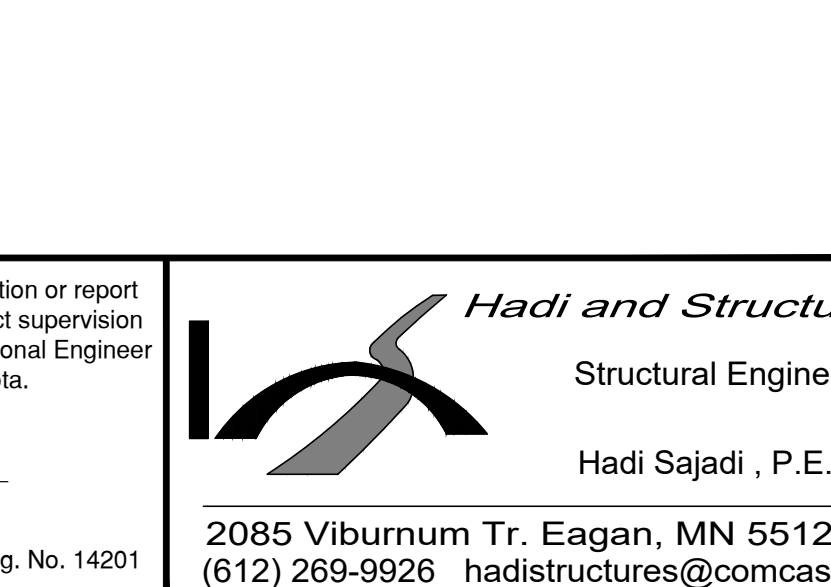
- Contractor shall verify all existing dimensions, member sizes and field conditions prior to any fabrication, construction or installation and notify Structural Engineer of conditions, materials, sizes and quantities.
- Cross reference all dimensions and details with the Artist's drawings before commencing any demolition/fabrication/construction.
- These drawings and specifications represent the finished structure. Unless otherwise noted, they do not indicate the means or methods of construction. The Contractor is solely responsible for the protection of the existing building and new structure during all phases of construction and demolition. Shoring shall be by the Contractor's design and shall be in accordance with the current edition of the State of Minnesota Building Code.
- All construction shall comply with the current edition of State of Minnesota Building Code.
- Details and conditions not specifically shown shall be constructed in accordance with details shown for similar conditions and materials.
- Shop drawings prepared by suppliers, subcontractors or others shall be reviewed, coordinated and stamped by General Contractor prior to submittal to the Structural Engineer.
- Reference Codes, Documents, Standards and Manuals shall be the latest edition (unless noted otherwise) with the latest addenda if applicable.

FOUNDATION

Foundation shall be poured into suitable excavations/formed/curbed walls as described in the Geotechnical Report by Northern Technologies, LLC (Project No. 18-NSP0608.000, dated September 14, 2018). All earthwork, excavation, backfill, compaction, shall be inspected by the Geotechnical Engineer of the Record. Do not pour concrete unless it is approved in writing by the Geotechnical Engineer of the Record. Required allowable soil bearing pressure at bottom of footing = 1200 lbs/sq. ft. Required allowable lateral bearing pressure against the vertical surface of footing = 1200 lbs/sq. ft. Any water that is encountered in the excavation shall be pumped out prior to placement of any fill or concrete.

9. Any water that is encountered in the excavation shall be pumped out prior to placement of any fill or concrete.

10. Do not place fill or concrete over frozen soil. Fill should not contain any frozen soil. Protect soil from freezing before and after fill is placed and also before, during and after concrete has been poured.



5 INSERT PIPE ASSEMBLY - 5 CATTAILS
S2 1 1/2" = 1'-0"

GENERAL NOTES:

- Contractor shall verify all existing dimensions, member sizes and field conditions prior to any fabrication, construction or installation and notify Structural Engineer of conditions, materials, sizes and quantities.
- Cross reference all dimensions and details with the Artist's drawings before commencing any demolition/fabrication/construction.
- These drawings and specifications represent the finished structure. Unless otherwise noted, they do not indicate the means or methods of construction. The Contractor is solely responsible for the protection of the existing building and new structure during all phases of construction and demolition. Shoring shall be by the Contractor's design and shall be in accordance with the current edition of the State of Minnesota Building Code.
- All construction shall comply with the current edition of State of Minnesota Building Code.
- Details and conditions not specifically shown shall be constructed in accordance with details shown for similar conditions and materials.
- Shop drawings prepared by suppliers, subcontractors or others shall be reviewed, coordinated and stamped by General Contractor prior to submittal to the Structural Engineer.
- Reference Codes, Documents, Standards and Manuals shall be the latest edition (unless noted otherwise) with the latest addenda if applicable.

FOUNDATION

Foundation shall be poured into suitable excavations/formed/curbed walls as described in the Geotechnical Report by Northern Technologies, LLC (Project No. 18-NSP0608.000, dated September 14, 2018). All earthwork, excavation, backfill, compaction, shall be inspected by the Geotechnical Engineer of the Record. Do not pour concrete unless it is approved in writing by the Geotechnical Engineer of the Record. Required allowable soil bearing pressure at bottom of footing = 1200 lbs/sq. ft. Required allowable lateral bearing pressure against the vertical surface of footing = 1200 lbs/sq. ft. Any water that is encountered in the excavation shall be pumped out prior to placement of any fill or concrete.

9. Any water that is encountered in the excavation shall be pumped out prior to placement of any fill or concrete.

10. Do not place fill or concrete over frozen soil. Fill should not contain any frozen soil. Protect soil from freezing before and after fill is placed and also before, during and after concrete has been poured.

<p>REVISIONS</p> <table border="1"> <thead> <tr> <th>NO.</th> <th>DATE</th> <th>BY</th> <th>DESCRIPTION</th> </tr> </thead> <tbody> <tr> <td>1</td> <td></td> <td></td> <td></td> </tr> <tr> <td>2</td> <td></td> <td></td> <td></td> </tr> <tr> <td>3</td> <td></td> <td></td> <td></td> </tr> </tbody> </table>		NO.	DATE	BY	DESCRIPTION	1				2				3				<p>SHEET TITLE</p> <p>DETAILS AND GENERAL NOTES</p>		<p>HOSSLE WOODWORKS</p> <p>2205 CALIFORNIA ST. NE, SUITE #123</p> <p>MINNEAPOLIS, MN 55418</p>		<p>I hereby certify that this plan, specification or report was prepared by me or under my direct supervision and that I am a duly Licensed Professional Engineer under the laws of the State of Minnesota.</p> <p><i>Hadi Sajadi</i></p> <p>Hadi Sajadi</p> <p>Date March 24, 2022</p>		<p>Hadi and Structures</p> <p>Structural Engineering</p> <p>Hadi Sajadi, P.E.</p> <p>2085 Viburnum Tr. Eagan, MN 55122</p> <p>(612) 269-9926 hadisttructures@comcast.net</p>	
NO.	DATE	BY	DESCRIPTION																						
1																									
2																									
3																									
<p>DATE</p> <p>MARCH 24, 2022</p>		<p>PROJECT NO.</p> <p>224701</p>		<p>PROJECT</p> <p>RF64 APARTMENTS CATTAIL SCULPTURES</p> <p>RICHFIELD PARKWAY AND 65TH ST. EAST</p> <p>RICHFIELD, MINNESOTA</p>		<p>Reg. No. 14201</p>																			
<p>DRAWN BY</p> <p>SC</p>		<p>APPROVED BY</p> <p>HS</p>		<p>SHEET NO.</p> <p>S2</p>		<p>DATE</p> <p>MARCH 24, 2022</p>																			